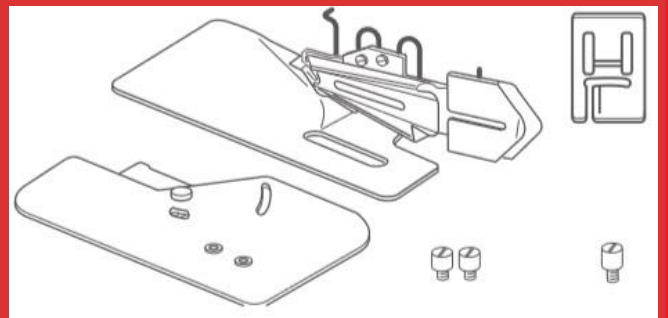


JANOME

Accessory of the Month

May 2020



Quilt Binder Set

The Quilt Binder Set is the perfect accessory for quick and trouble-free binding, with a superior design based on industrial binding attachments. The cone at the front of the fabric holder feeds and folds the fabric for a 1/2" finished binding. Adjust the two upper screws to align the binding's top and bottom folds with the needle for extra precision. Set them at the same length for a straight stitch or set the bottom a bit further than the top for a blanket stitch. The set creates straight line binding for large quilts and adds an eye-catching accent to any small items such as placemats. You can also use other feet with the Quilt Binder such as AcuFeed Feet.

This Accessory of the Month has a bonus project using the Quilt Binder Set.

Download link for project. [BINDING A QUILT](#)

Part Number Compatible Machines

202211008 MC15000, MC12000, Skyline S9, MC9900, MC9850, Continental M7P, MC9450QCP, MC9400QCP, MC8900QCP *Special Edition*, MC8900QCP, MC8200QCP *Special Edition*, MC8200QC, MC6700P, MC6650, Skyline S7, Skyline S6, Skyline S5

846421007 MC11000, MC11000SE, MC7700QCP, MC6600P, MC6500P