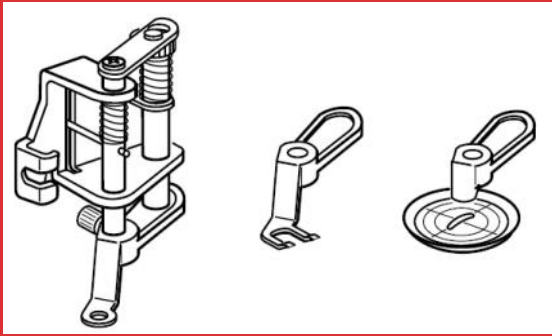


# JANOME

## Accessory of the Month

April 2021



### Convertible Free Motion Foot Set

This set includes three feet that can be used with a variety of fabrics for free motion quilting projects. Select the most appropriate foot for the task and attach to the foot holder with a quick screw adjustment. The height of all feet can also be adjusted so they glide effortlessly over layers of fabric.

The closed-toe foot is convenient for lace and other fabrics that catch on an open toe, this general use foot is also good for holding the fabric in front of the needle. The open-toe foot is also for general use, but with greater visibility around the needle to assist formation of a precise design. The clear view foot moves smoothly over uneven layers such as fabric with cording or ribbon, can also be used with zigzag stitches and for echo quilting using the marked lines on the foot.

This Accessory of the Month has a bonus project using the Convertible FMQ Set.

Project download link [FMQ Zippered Pouch](#)

Part Number	Compatible Machines
202002004 (QB-L, Low shank, 7mm)	5300QDC, 4300QDC, DM7200, Sewist 780DC, DC6050, Sewist 740DC, DC3200, DC2150
202001003 (QB-H, Hi shank, 7mm)	Skyline S3, MC7700QCP, MC6600P, MC11000, MC10000, MC9700, MC9500
202146001 (QB-S, Hi shank, 9mm)	MC9900, MC9850, MC6650, Skyline S6, Skyline S5 <i>Many 9mm high shank models come standard with free motion feet.</i>
767433004 (straight stitch) Set has only 2 feet - open toe & closed toe	HD-9 Professional & 1600P Series